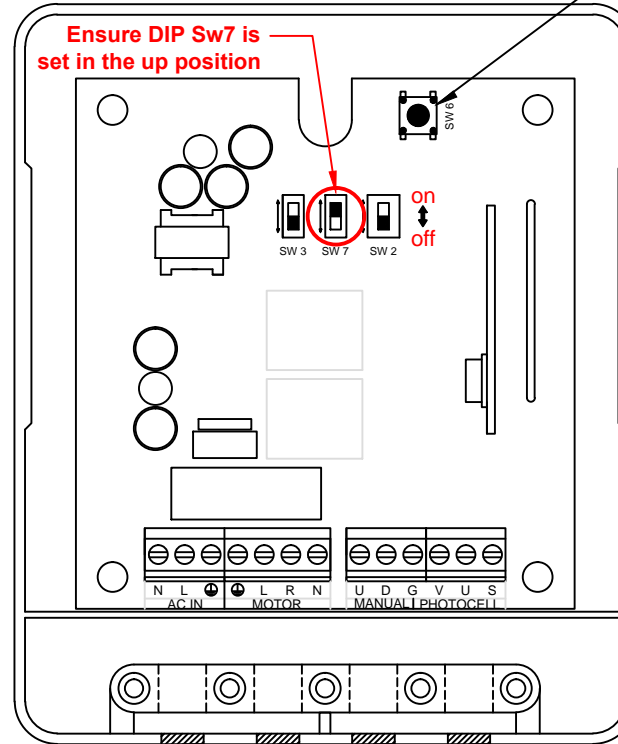


On	SW 2	Reverse Direction of Lid Buttons
	SW 3	Reverse Direction of Motor
Off	SW 6	Transmitter Program Button
	SW 7	On = Impulse Up / Deadman Down
		Off = Impulse Up / Down



Specification	
Power Supply	200 - 240V AC, 50Hz
Operating Temp	-10 to + 55°C
Frequency	433MHz
Max Transmitters	100
Transmitter Distance	>30m
Max Power	500W

### Transmitter Programming

- Press program button SW6 until GREEN LED starts to flash then release
- Press **UP** button on transmitter device GREEN LED flashes quickly then goes out

### Transmitter Button Lock Feature

To prevent accidental operation the transmitter comes with a programmable locking feature

To lock the transmitter buttons, press and hold the transmitter stop button for 7 seconds until the blue indicator illuminates

Should the transmitter fail operate it may already be locked

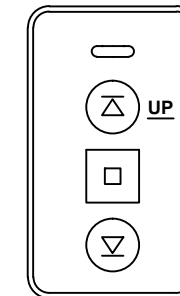
To check this, press and hold the transmitter stop button for 7 seconds the blue indicator will illuminate  
Retry the open and close button

### Transmitter Battery Replacement Access

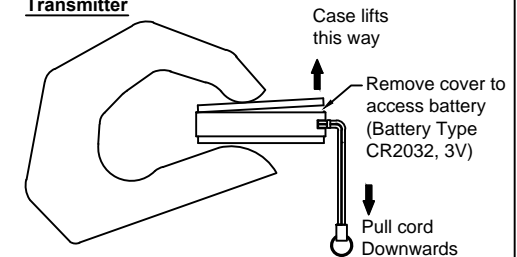
#### Replacing Battery

- Hold the transmitter by placing forefinger on the stop button and the thumb underneath (the cord must be facing towards you)
- While holding firmly holding the transmitter, pull the cord downwards
- The case will separate allowing access to the battery

Standard Transmitter supplied with unit



#### Battery Replacement - Standard Transmitter



This drawing is the property of ELLARD LTD, it may not be reproduced without the written authorization of Ellard Limited. All intellectual property rights are expressly reserved



Roundthorne Industrial Estate  
Ellard House, Floats Road  
Wythenshawe, Manchester  
M23 9WB  
Tel: 0161 945 4561, e-mail: technical@ellard.co.uk

Title

GENERAL DETAIL, CONNECTION  
AND SET UP (STANDARD (230V) VERSION  
(Page 1 of 2)

Rev/Notes

Date 25/03/2022

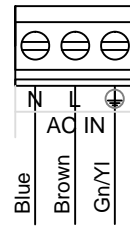
Drawn by DE Chk'd by AP

Drg # Genesis - Set Up (Standard Version)  
INSTRUCTION

### Terminal Connections

<i>Mains Supply</i>	
N	Mains Power 230v AC (Neutral)
L	Mains Power 230v AC (Live)
⊕	Mains Power (Earth)
<i>Motor</i>	
⊕	Motor Earth
L	Motor Direction (230V)
R	Motor Direction (230V)
N	Motor Common (N)
<i>Manual</i>	
U	External connection - Open
D	External connection - Close
<i>Photocell</i>	
G	0V / Switch Common / Photocell Common
V	+24v dc
U	Photocell connection - N/C contact
S	External connection - Stop

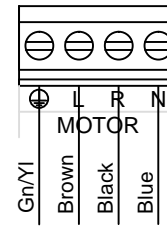
### Mains Supply Connection



**Recommended Power Supply Protection:-  
13A fused Spur or Single Pole MCB Type 'A'**

*Mains Supply  
230v AC 50Hz*

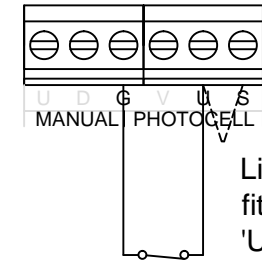
### 230v Tube Motor Connection



**Note**  
This connection will supply **230v AC** and is specifically for tube motor operation

*Tube Motor  
230v AC 50Hz*

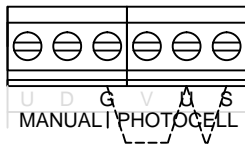
### Basic Remote Control Operation With Safety Brake



Link must be fitted between: 'U' - S as shown

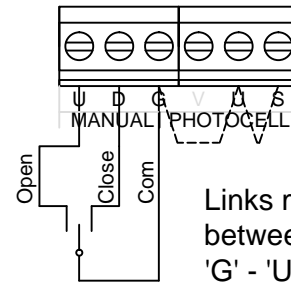
*Safety Brake (N/C)  
Switch Connection*

### Basic Remote Control Operation



Links must be fitted between: 'G' - 'U' - S as shown

### Ext Key-Switch Connection

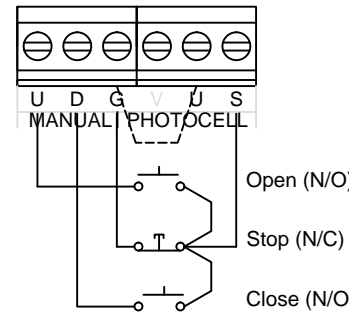


Fit link between 'G' and 'S'

Links must be fitted between: 'G' - 'U' - S as shown

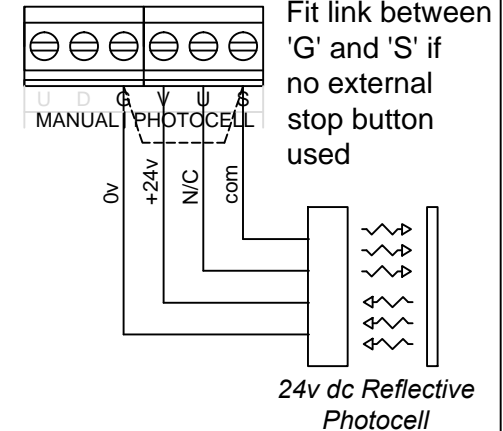
*External Key  
Switch Connection*

### Ext Push Button Connection



*External Key Push  
Button Connection*

### 24v DC Photocell Connection



Fit link between 'G' and 'S' if no external stop button used

*24v dc Reflective  
Photocell*

*This drawing is the property of ELLARD LTD, it may not be reproduced without the written authorization of Ellard Limited. All intellectual property rights are expressly reserved*

# ELLARD

Roundthorne Industrial Estate  
Ellard House, Floats Road  
Wythenshawe, Manchester  
M23 9WB  
Tel: 0161 945 4561, e-mail: technical@ellard.co.uk

Title

**GENERAL DETAIL, CONNECTION  
AND SET UP - STANDARD (230V) VERSION  
(Page 2 of 2)**

Rev/Notes

Date

25/03/2022

Drawn by

DE

Chk'd by

AP

Drg #

Genesis - Set Up (Standard Version)  
INSTRUCTION